

## FWS/WS Water Cooled Condenser

### 1. Product description:

- 1). According to the country standard strictly to design and manufacture, with the production permission for pressure vessel, the products is supervised by the Department of Quality Supervision to ensure the quality.
- 2). The heat exchange tube is B type high efficient outer screw copper tube, which is manufactured by the professional factory.
- 3). The products is tested under the strict air pressure and water pressure, the shell is under 2.8MPa, and the tube is under 1.0MPa.
- 4). WS series is designed of compact structure, which can be matched for air conditioner.
- 5). FWS series condenser is designed with larger tube, with liquid storage function, no need for additional one.
- 6). The product is equipped with safety device, which will explode automatically, to ensure the safety when the temperature or pressure get to the limit.

### 2. Specification

#### 1). FWS condenser(with liquid reservoir)

Model	Capacity kW	Water m <sup>3</sup> /h	External dimension(mm)					Installation size(mm)				Pipe dia(mm)			Path
			D	T	T1	B	H	F	A	S	S1	p	e	w	PS
FWS-3	8.16	1.8	159	740	650	34	26	29	51	90	16	12	12	1 1/4"	2
FWS-4	11.56	2.5	159	740	650	34	29	29	51	90	16	16	12	1 1/4"	2
FWS-5	14.28	3.1	219	930	840	37	35	32	60	90	16	16	16	1 1/2"	2
FWS-8	20.4	4.5	219	1080	990	37	35	32	71	90	16	22	16	1 1/2"	2
FWS-10	23.8	5.2	219	1250	1160	37	35	32	85	90	24	28	22	1 1/2"	2
FWS-15	38	8.2	273	1290	1200	44	41	39	85	90	26	28	22	2"	2
FWS-20	51.4	11	273	1290	1200	44	41	39	85	90	26	28	28	2"	2
FWS-25	62.5	13.5	273	1290	1200	44	41	39	85	90	26	28	28	2"	2
FWS-30	76	16.5	273	1290	1200	44	41	39	85	90	26	35	28	2 1/2"	2
FWS-35	88	19	273	1650	1560	44	41	39	10	90	26	35	28	2 1/2"	2
FWS-40	100	22	273	1650	1560	44	41	39	10	90	26	35	28	2 1/2"	2
FWS-45	114	25	273	1650	1560	44	41	39	10	90	26	42	28	2 1/2"	2
FWS-50	128	27.5	273	2090	2000	44	41	39	12	90	26	42	28	2 1/2"	2
FWS-55	140	30	273	2090	2000	44	41	39	12	90	26	54	35	2 1/2"	2
FWS-60	155	33	273	2090	2000	44	41	39	12	90	26	54	35	2 1/2"	2
FWS-70	178	38	325	2300	2000	50	56	45	12	15	26	54	35	3"	2
FWS-80	204	44	325	2300	2000	50	56	45	12	15	26	54	35	3"	2
FWS-90	238	47	325	2300	2000	50	56	45	12	15	26	54	35	4"	2
FWS-10	256	55	325	2300	2000	50	56	45	12	15	26	54	35	4"	2
FWS-11	285	61	351	2600	2300	60	59	55	15	15	30	54	35	4"	2
FWS-12	310	66	351	2600	2300	60	59	55	15	20	30	66	42	4"	2
FWS-13	336	72	351	2600	2300	60	59	55	15	20	30	66	42	5"	2
FWS-14	362	80	377	2900	2500	65	61	60	15	20	30	66	42	5"	2

# Icy Refrigeration Equipment Co., Ltd.

[www.icyrefrig.com](http://www.icyrefrig.com)   [graceyanglucky@gmail.com](mailto:graceyanglucky@gmail.com)   Tel: 86 18702183296

FWS-15	392	85	377	2900	2500	65	61	60	18	20	30	66	42	5"	2
FWS-17	440	95	377	3200	2800	65	61	60	18	20	30	79	42	5"	2
FWS-18	470	100	377	3200	2800	65	61	60	18	20	30	79	42	6"	2
FWS-20	520	110	426	3200	2800	75	66	68	18	20	30	79	42	6"	2
FWS-22	570	120	426	3200	2800	75	66	68	18	20	30	10	54	6"	2
FWS-24	620	130	530	3200	2800	80	77	72	18	20	30	10	54	6"	2
FWS-27	700	150	530	3350	3000	80	77	72	18	20	30	10	54	6"	2
FWS-30	780	168	530	3350	3000	80	77	72	18	20	30	10	54	6"	2

## 2). WS condenser

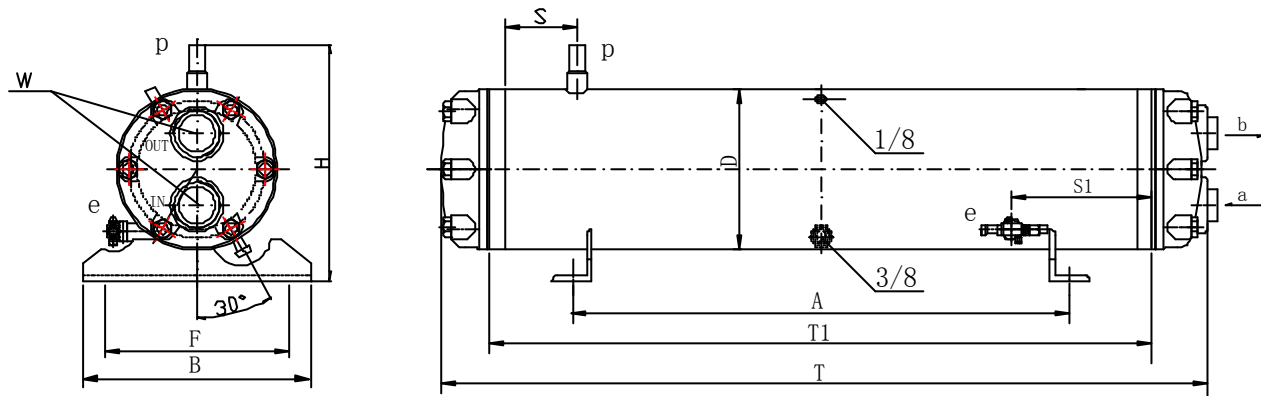
Model	Capacity (KW)	External dimension (mm)									Pipe dia (mm)			Water m <sup>3</sup> /h	Path PS
		D	T1	T	A	F	C	E	S	S1	p	e	w		
WS-3	10.5	12	650	750	500	65	15	90	18	13	16	12	1"	2.2	4
WS-5	17.5	14	650	750	500	65	15	90	18	13	16	12	1"	3.8	4
WS-6	21.0	16	810	900	600	65	19	11	20	15	16	12	1 1/2"	4.5	4
WS-8	28.0	16	810	900	600	65	19	11	20	15	22	16	1 1/2"	6.0	4
WS-1	35.0	16	960	104	600	65	19	11	20	15	22	16	1 1/2"	7.5	4
WS-1	42.0	21	960	104	600	65	24	12	25	20	22	16	2"	9.0	4
WS-1	52.5	21	120	130	800	65	24	12	25	20	28	22	2"	11	4
WS-2	70.0	21	120	130	800	65	24	12	25	20	28	22	2"	15	4
WS-2	87.5	21	150	159	100	65	24	12	25	20	28	22	2"	19	4
WS-3	105.0	21	150	159	100	75	24	12	25	20	28	22	2"	23	4
WS-3	122.5	27	177	186	120	75	30	13	36	32	28	22	2"	26	2
WS-4	140.0	27	177	186	120	75	30	13	36	32	35	28	2 1/2"	30	2
WS-4	157.5	27	200	213	150	75	30	13	36	32	35	28	2 1/2"	34	2
WS-5	175.0	27	200	213	150	75	30	13	36	32	35	28	2 1/2"	38	2
WS-5	192.5	27	200	213	150	75	30	13	36	32	35	28	2 1/2"	42	2
WS-6	210.0	27	200	213	150	75	30	13	36	32	35	28	3"	45	2
WS-7	245.0	32	200	217	120	15	38	20	44	38	54	35	3"	53	2
WS-8	280.0	32	200	218	120	15	38	20	44	38	54	35	4"	60	2
WS-9	315.0	32	200	233	120	15	38	20	44	38	54	35	4"	68	2
WS-1	350.0	35	200	233	120	15	44	20	48	42	80	54	4"	75	2
WS-11	385.0	35	200	233	120	15	44	20	48	42	80	54	4"	83	2
WS-1	437.5	37	200	235	150	15	48	20	50	45	10	54	5"	95	2
WS-1	490.0	42	203	241	150	15	50	25	50	45	10	54	5"	106	2
WS-1	560.0	42	260	298	160	15	50	25	50	45	10	67	5"	121	2
WS-1	630.0	42	260	298	160	15	50	25	50	45	10	67	5"	136	2

80

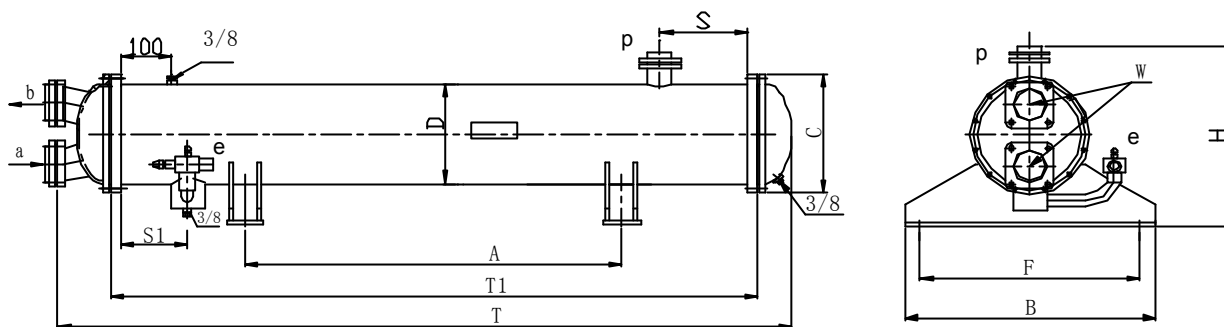
6 0 0 0 0 0 0 0 0 0 8

**3. External dimension diagram**

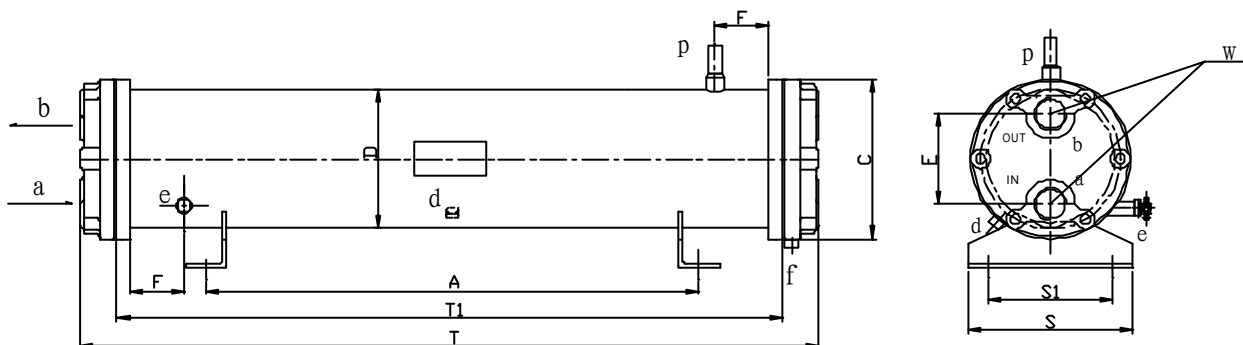
**FWS-3 ~ FWS-60 external dimension diagram**



**FWS-70 ~ FWS-150 external dimension diagram**



**WS-3 ~ WS-60 external dimension diagram**



**WS-70 ~ WS-180 external dimension diagram**

