

## GZ Series Shell & Pipe Evaporator

### 1. Product description

- 1). It is manufactured and inspected according to the *Dry Evaporator Used on the Freon Refrigeration Equipment* to ensure the product quality.
- 2) The heat exchange tube is of inner screw high efficient, 20%~50% more area than plain tube, so that the heat transfer efficiency get improved.
- 3) The tube get cleaned with specific equipment to ensure the cleanliness inside the refrigeration system, and can meet the requirement of different refrigerant.
- 4) It is of proper design and high heat exchange efficiency which can be widely used in the industry cold water units and medium and large central air conditioner etc.
- 5) The shell evaporator itself has the water drainage device, to avoid the freezing ice inside exploding the tube under low environment temperature in winter.

### 2. Specification

#### 1) GZ(single system) evaporator specification

Model	Capacity kW	Area m <sup>2</sup>	Water m <sup>3</sup> /h	External dimension (mm)					Installation size (mm)			Inlet & outlet dia (Ømm)			
				D	T	T1	B	H	F	A	S	C	D	G	w
GZ-05	17.5	1.93	3	168	106	914	29	20	15	600	90	22	16	3/8	1 <sup>1</sup> / <sub>4</sub>
GZ-08	28	2.81	5	219	106	914	35	25	20	600	90	28	16	3/8	1 <sup>1</sup> / <sub>4</sub>
GZ-10	35	3.55	6	219	106	914	35	24	20	600	90	35	16	3/8	1 <sup>1</sup> / <sub>2</sub>
GZ-15	53	4.65	9	219	105	120	35	24	20	800	90	42	22	3/8	2"
GZ-20	70	7.0	12	273	135	120	42	29	25	120	100	54	22	3/8	2"
GZ-25	88	8.76	15	273	165	150	42	31	25	120	100	54	28	3/8	2"
GZ-30	105	9.34	18	273	175	160	42	31	25	120	100	54	28	3/8	2"
GZ-35	122	10.5	21	273	195	180	42	31	25	140	120	54	28	3/8	2 <sup>1</sup> / <sub>2</sub>
GZ-40	140	11.6	24	273	215	200	42	31	25	140	120	54	35	3/8	2 <sup>1</sup> / <sub>2</sub>
GZ-45	158	13.7	27	325	215	200	48	36	35	140	120	54	35	3/8	2 <sup>1</sup> / <sub>2</sub>
GZ-50	175	16.6	30	325	215	200	48	35	35	140	120	54	35	3/4	3"
GZ-60	210	18.3	36	315	235	200	48	35	35	160	120	80	35	3/4	3"
GZ-70	245	19.9	42	315	235	200	48	35	35	160	150	80	35	3/4	3"
GZ-80	280	25	49	351	260	240	48	37	38	160	150	80	35	3/4	4"
GZ-90	315	29	55	351	280	260	48	37	38	160	150	80	35	3/4	4"
GZ-10	350	31	60	410	280	260	58	41	44	160	150	80	35	3/4	5"
ØZ-12	420	38	73	410	280	260	58	41	44	160	150	80	35	3/4	5"
ØZ-13	455	42	80	410	280	260	58	41	44	160	150	80	54	3/4	5"
ØZ-14	490	45	85	410	321	300	58	40	44	180	200	80	54	1"	6"
ØZ-15	525	49	90	460	321	300	62	45	55	180	200	80	54	1"	6"
ØZ-18	630	58	110	460	321	300	62	45	55	180	200	10	54	1"	6"

# Icy Refrigeration Equipment Co., Ltd.

[www.icyrefrig.com](http://www.icyrefrig.com) [graceyanglucky@gmail.com](mailto:graceyanglucky@gmail.com) Tel: 86 18702183296

GZ-20	700	65	120	530	351	330	68	52	60	180	200	10	54	1"	6"
GZ-25	875	75	150	560	351	330	70	55	65	180	220	10	54	1"	6"
GZ-30	1050	92	180	560	381	360	70	52	65	180	220	13	80	1"	8"

0 0 0 0 0 0 0 0 0 0 0 0 4

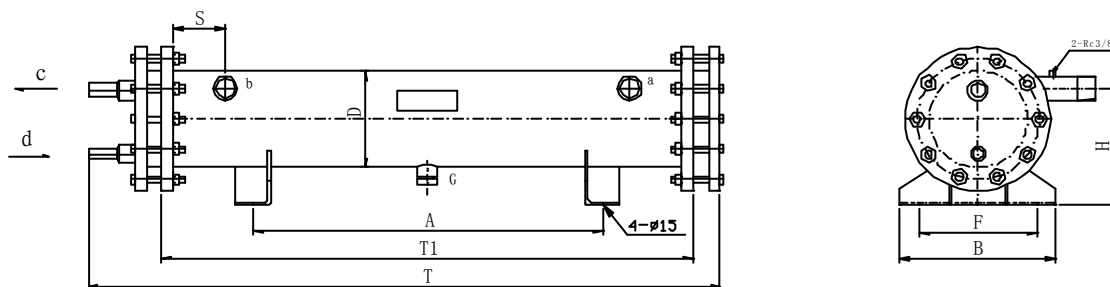
## 2) GZ(double system) evaporator specification

Model	Capacity kW	Water m <sup>3</sup> /h	External dimension(mm)					Installation size(mm)			Inlet & outlet dia (Ømm)			
			D	T	T1	B	H	F	A	S	C	D	G	w
GZ-2×5	30	5	219	11	914	42	22	25	600	100	28	16	3/4	1 1/2
GZ-2×10	70	12	273	14	120	42	28	28	800	100	35	22	3/4	2 1/2
GZ-2×15	100	17.5	273	20	100	48	28	35	100	120	35	22	3/4	2 1/2
GZ-2×20	140	24	325	20	100	48	34	35	100	120	54	22	3/4	2 1/2
GZ-2×2	170	29	325	25	220	48	33	35	150	120	54	28	3/4	3"
GZ-2×30	210	36	351	25	220	48	36	35	150	150	54	28	3/4	3"
GZ-2×35	240	42	351	27	240	48	34	38	150	150	54	28	3/4	4"
GZ-2×40	280	48	410	29	260	48	42	38	160	150	54	35	3/4	4"
GZ-2×45	300	52	410	29	260	58	42	44	160	150	54	35	3/4	4"
GZ-2×50	350	60	410	29	260	58	41	44	160	150	66	35	3/4	5"
GZ-2×60	410	67	460	29	260	58	48	44	160	150	66	35	3/4	5"
GZ-2×70	520	85	460	33	300	58	46	44	180	200	80	35	1"	6"
GZ-2×80	560	91	460	33	300	62	46	55	180	200	80	35	1"	6"
GZ-2×90	580	98	460	33	300	62	46	55	180	200	80	35	1"	6"
GZ-2×100	680	105	560	36	330	68	56	60	180	200	80	35	1"	6"
GZ-2×120	820	140	560	36	330	70	56	65	180	220	10	54	1"	6"
GZ-2×150	1020	175	560	39	360	70	56	65	180	220	10	54	1"	8"

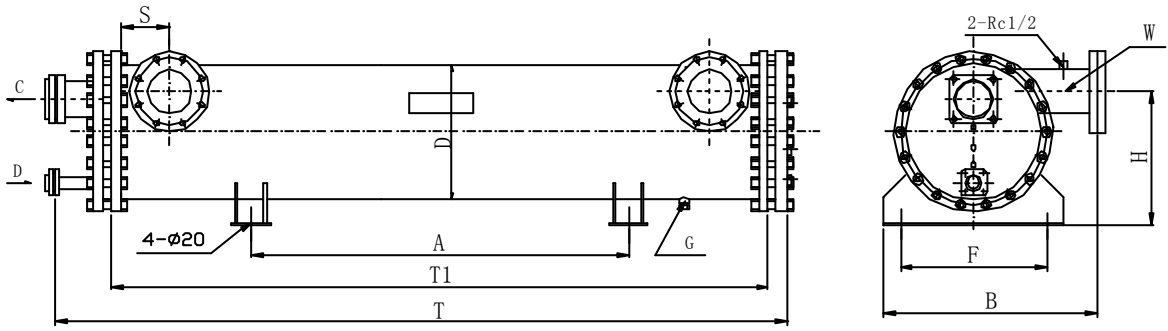
10 0 0 5 0 0 5

## 3. External dimension diagram

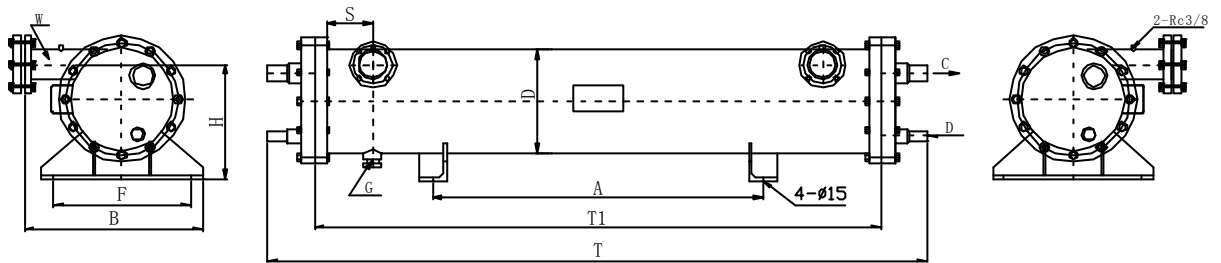
### GZ-5 ~ GZ-20 external dimension diagram



**GZ-25 ~ GZ-300 external dimension diagram**



**GZ-2×5 ~ GZ-2×15 external dimension diagram**



**GZ-2×20 ~ GZ-2×150 external dimension diagram**

