

Integrated Machine for Walk-in Cooler

1. Product characteristics:

LYJ Series refrigerator, also called integrated machine for walk-in cooler, widely used for mini and small walk-in cooler for the temperature of $-5^{\circ}\text{C} \sim 5^{\circ}\text{C}$, $-15^{\circ}\text{C} \sim -25^{\circ}\text{C}$, suitable for the fresh-keeping and cold storage requirement in hotels, restaurants, medicines, Agricultural and chemical industries etc.

It has the following characteristics:

1. Compact structure with unique outlook, designed to integrate the evaporator, condenser, compressor, electric control etc. to reduce the installation room.
2. Danfoss Maneruo hermetic compressor, with good performance, low noise and high reliability.
3. Inner screw copper tube & aluminum fin heat exchanger, high efficiency of heat exchange.
4. Brand accessories and fan motor, good reliable performance and long life span
5. Auto intelligent electric control, with the function of temperature set and control, and auto electric defrosting etc.
6. The units have multi-protection for overheat, overload, lack of phase, and system high & low pressure.
7. Fresh new installation mode, very convenient to install and use, which just need to put the units into the hole cut on the wall and connect the power.

2. Specification:

Mode		LYJ18M	LYJ36M	LYJ50M	LYJ22L	LYJ40L	LYJ50L
Capacity(W)		1800	5100	6225	1220	2438	3774
Input(KW)		1.2	2.6	3.5	1.3	3	4.5
Power		220V/50HZ	380V/50HZ		380V/50HZ	380V/50HZ	
Temperature($^{\circ}\text{C}$)		$-5 \sim 5^{\circ}\text{C}$			$-15 \sim -25^{\circ}\text{C}$		
Compressor	Input(KW)	1	2.35	2.95	1.2	2.7	4
	Type	Hermetic reciprocating					
	Qty	1	1	1	1	1	1
Condenser	Type	Inner screw copper tube & aluminum fin					
	Fan	External axial flow fan motor					
	Fan Qty	1	2	2	1	2	2
	Fan input(W)	73	146	260	73	146	260
	Volume(m ³ /h)	1885	3770	6200	1885	3770	6200
Evaporator	Type	Inner screw copper tube & aluminum fin					
	Fan	External axial flow fan motor					
	Fan Qty	1	2	2	1	2	2
	Fan input(W)	73	146	260	73	146	260
	Volume(m ³ /h)	1885	3770	6200	1885	3770	6200
	Defrosting	Electric	Electric	Electric	Electric	Electric	Electric
Throttling form		Expansion valve					

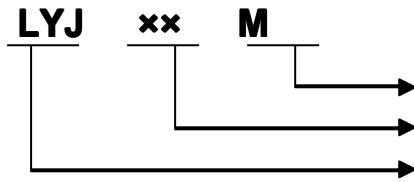
Icy Refrigeration Equipment Co., Ltd.

www.icyrefrig.com graceyanglucky@gmail.com TI: 86 18702183296

Refrigerant	R22			R404A		
Refrigerant weight (kg)	1	2.2	3.5	1.2	2.5	3.5
Lubricant oil	160P			160PZ		
Weight(kg)	108	141	205	105	162	200
Dimension (mm)	620×975×765	1100×1020×765 5	1300×1220×765 5	620×1070×765	1100×1170×920 5	1300×1270×920 5

Note: The test condition of LYJxxM units: evaporating temperature -10°C, and the condensing units 45°C, that of LYJxxL units is -30°C and 45°C.

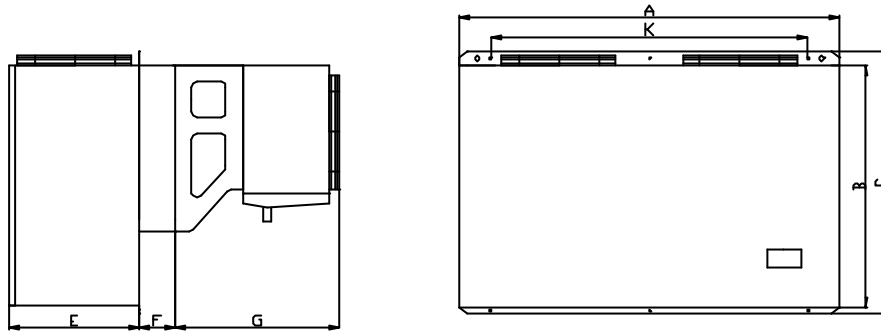
3. Model code:



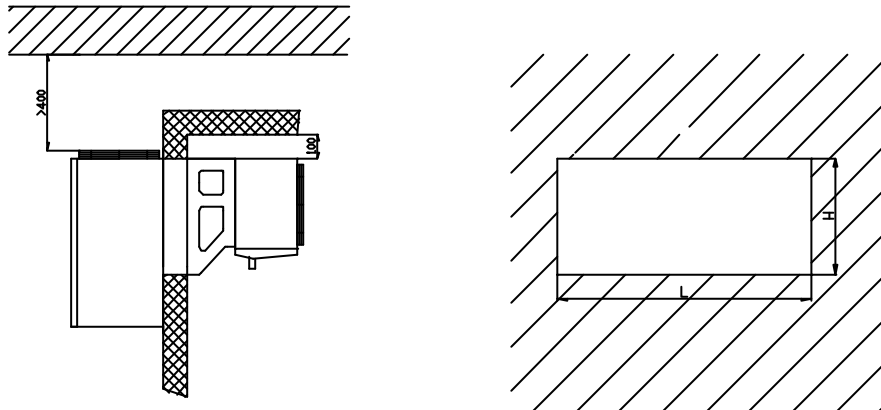
Temperature, M:-5~5°C, L:-15~-25°C
Compressor input, (HP)×12
Series code

4.Outlook & installation size

1) Outlook structure diagram



2) Installation and hole size diagram:



Icy Refrigeration Equipment Co., Ltd.

www.icyrefrig.com graceyanglucky@gmail.com TI: 86 18702183296

3) Dimension and installation size:

Mode	LYJ18M	LYJ36M	LYJ50M	LYJ22L	LYJ40L	LYJ50L
A	620	1100	1300	620	1100	1300
B	700	700	860	700	860	860
C	765	765	925	765	925	925
E	390	390	490	390	490	490
F	100	100	100	150	150	150
G	485	530	630	530	530	630
K	440	920	1120	440	920	1120
L	580	1060	1260	580	1060	1260
H	456	491	606	456	491	606